



Colours available



Brushed Stainless Steel

Model: N-SX Part No: DOR100

Function

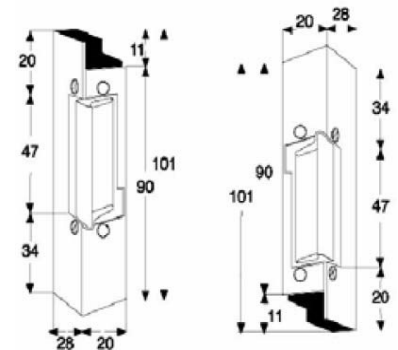
Standard Model

On activation of the strike releases the door and will unlock when power is applied, it will remain unlocked until the power is removed. (power to open)

Features

- Solid stainless steel face plate as standard
- Narrow style face plates, will fit most door frames
- Operates on, 12v DC, or 12-16v AC,
- Current draw 350mA, 12v DC or 12-16vAC
- Ideal for, Intercoms or Access Control applications
- Latch & Bolt face plates available
- Strong durable construction
- Built to ISO9227 standards
- ECONOMICALLY priced
- 5 Year Manufacturers Warranty

- C-Tick Certified
- CE Approved
- TVU Approved
- 5 Year Warranty



Part No: DOR100		Specifications
Operation features:		STANDARD Power to Open
Style:		Narrow style Stainless Steel Face plate, flush mount strike
Operational voltage:		12v DC or 12-16v AC
Current draw:		350mA
Coil type:		30Ω coil
Colour:		Brushed stainless steel
Dimensions:		W25mm x H160mm x D28mm
Latch opening with		40mm
Warranty:		5 Years Manufactures Warranty
Models	Part No	Available Models
N-SX	DOR100	Standard model, Power to Open, 12v DC momentary operation coil, 350mA
N412	DOR135	Continuous Coil model, Power to Open, 12v DC, continuous coil, 125mA
N512	DOR130	Continuous Coil model, Power to Lock, 12v DC, continuous coil, 125mA