

YW-4500

WALL MOUNT ANTENNA



The wireless antenna YW-4500 has been designed for UHF band wireless system. Cable loss can be compensated for by a built-in RF signal booster. The YW-4500 is a dipole antenna designed to be installed indoors. Use the coaxial cable with 75 Ω impedance.

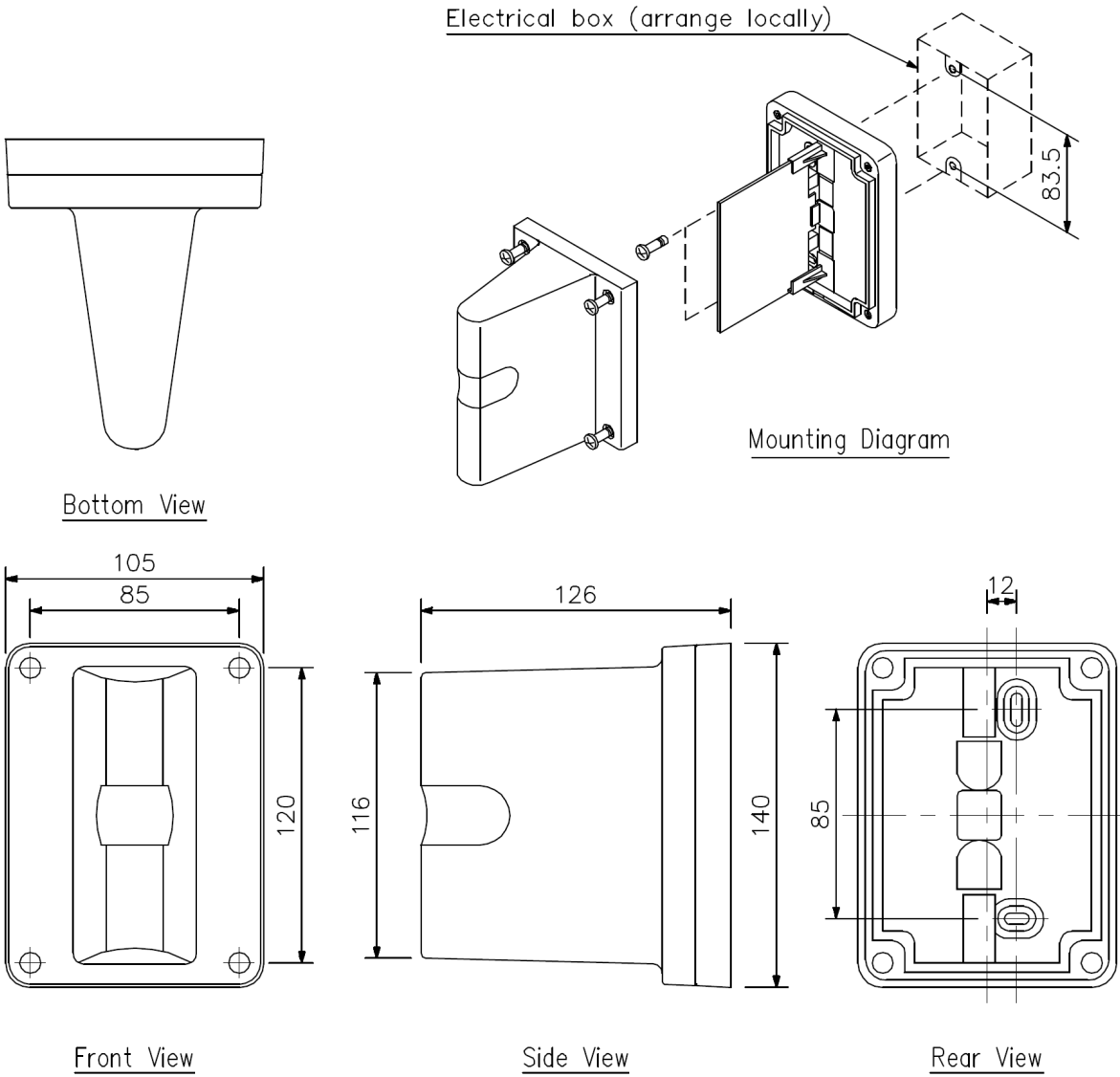
Key features

- Omnidirectional dipole antenna for wall or ceiling mounting
- By means of the integrated RF amplifier losses induced by long cable runs can be compensated

Specifications

Power Source	7 to 12 V DC (supplied from amplifier or tuner/receiver)
Power Consumption	15 mA or less
Receiving Frequency	550 - 932 MHz, UHF
Dipole Ratio Relative Gain	8 dB or more (780 MHz)
Antenna Gain	More than 8 dB (0 dB position)
VSWR	3.0 or less
Output Impedance	75 Ω
Mounting Hole Pitch	83.5 mm (dimensions for wiring box)
Operating Temperature	-10 to 50°C
Operating Humidity	30 % to 85 %RH (no condensation)
Dimensions	105 (W) x 140 (H) x 126 (D) mm
Weight	270 g
Included Accessories	M3.5 screw for wiring box x 2, Tapping screw (M4) for wooden wall x 2, RG-6/U or RG-11/U sleeve x 1

Dimensions



* Mounting holes are 12 mm out of the unit's center.

UNIT: mm

A&E specifications

The remote dipole antenna shall be suitable for use in the UHF frequency range of 550 - 932 MHz. The antenna gain shall be greater than 8 dB with a V. S. W. R. of less than 3. The output impedance shall be 75 ohm with an operating distance of 35 m (115 ft.) maximum using RG-6U cable or 50 m (164 ft.) maximum using RG-11U cable. The antenna power requirement shall be 7- 12 VDC with current consumption of less than 24 mA supplied from the wireless receiver or antenna distributor. The unit shall have a mounting hole pitch of 3.29" (83.5 mm). The operating temperature shall be -10° C to +50° C (+14° F to +122° F). Unit construction shall be AES resin, off-white with dimensions of 105 x 140 x 126 mm (4.13" x 5.51" x 4.96") and weight of 300 g (0.66 lbs.).