



INSTALLATION AND OPERATION MANUAL

WP-BREAKOUT

Audio Breakout Box



IMPORTANT SAFETY INFORMATION



1. READ these instructions.
2. Keep these instructions.
3. Heed all warnings.
4. Follow all instructions.
5. Do not use this apparatus near water.
6. Clean only with dry cloth.
7. Do not block any ventilation openings. Install in accordance with the manufacturer's instructions.
8. Do not install near any heat sources such as radiators, heat registers, stoves, or other apparatus (including amplifiers) that produce heat.
9. Do not defeat the safety purpose of the polarized or grounding-type plug. A polarized plug has two blades with one wider than the other. A grounding type plug has two blades and a third grounding prong. The wide blade or the third prong are provided for your safety. If the provided plug does not fit into your outlet, consult an electrician for replacement of the obsolete outlet.
10. Protect the power cord from being walked on or pinched particularly at plugs, convenience receptacles, and the point where they exit from the apparatus.
11. Only use attachments/accessories specified by the manufacturer.
12. Use only with the cart, stand, tripod, bracket, or table specified by the manufacturer, or sold with the apparatus. When a cart is used, use caution when moving the cart/apparatus combination to avoid injury from tip-over.
13. Unplug this apparatus during lightning storms or when unused for long periods of time.
14. Refer all servicing to qualified service personnel. Servicing is required when the apparatus has been damaged in any way, such as power-supply cord or plug is damaged, liquid has been spilled or objects have fallen into the apparatus, the apparatus has been exposed to rain or moisture, does not operate normally, or has been dropped.
15. This appliance shall not be exposed to dripping or splashing water and that no object filled with liquid such as vases shall be placed on the apparatus.
16. Plug this apparatus to the proper wall outlet and make the plug to be disconnected readily operable.
17. Mains plug is used as disconnected device and it should remain readily operable during intended use. In order to disconnect the apparatus from the mains completely, the mains plug should be disconnected from the mains socket outlet completely.
18. WARNING: To reduce the risk of fire or electric shock, do not expose this apparatus to rain or moisture.
19. An appliance with a protective earth terminal should be connected to a mains outlet with a protective earth connection.
20. The apparatus should be disconnected from the mains completely before speaker wiring. The speaker output should be proper protected from direct contact and pay attention to speaker connections, terminals and speaker wiring during normal operation.

PRÉCAUTIONS DURANT UTILISATION

1. LISEZ ces instructions.
2. Tenez ces instructions.
3. Notez tous les avertissements.
4. Suivez toutes les avertissements.
5. N'utilisez pas ce produit près de l'eau (la piscine, la plage, le lac, etc.).
6. Nettoyez seulement avec une étoffe sèche.
7. Ne bloquez aucuns trous de ventilation. Installez en accord avec les instructions du constructeur.
8. N'installez près aucunes sources de chaleur comme radiateurs, registres de chaleur, fours ou les autres équipements (y compris amplificateurs) qui produisent la chaleur.
9. Ne défaites pas le but de sécurité de la fiche polarisée ou base-type. Une fiche polarisée a deux tranchants avec un plus large que l'autre. Une fiche de base type a deux a deux tranchants et une troisième pointe de base, le tranchant large ou la troisième pointe est fourni pour votre sécurité. Si la fiche donnée ne conforme pas votre prise de contact, consultez un électricien pour remplacement de la prise de contact obsolète.
10. Protégez le cordon de secteur contre être marché dessus ou pincez en particulier aux fiches, aux douilles de convenance, et au point où ils sortent de l'appareil.
11. Seulement utilisez attachements/accessoires spécifiés par le constructeur.
12. Utilisez seulement avec un chariot, un stand, un trépied, un support ou une table indiquée par le constructeur, ou vendue avec l'appareil. Quand un chariot est utilisé, faites attention en déplaçant la combinaison d'appareil/chariot pour éviter de se déséquilibrer.
13. Arrachez la fiche du dispositif durant éclair et orage et quand pas utilisé pour longues périodes de temps.
14. Référez au personnel qualifié de service pour toutes réparations. La réparation est donnée quand le système a été endommagé à n'importe façon, par exemple un fil ou une fiche endommagé(e) de la source d'alimentation. Avoir été exposé à pluie ou humidité, n'opère pas normalement, ou avoir été tombé.
15. L'appareil ne doit pas être exposé aux écoulements ou aux éclaboussures et aucun objet ne contenant de liquide, tel qu'un vase, ne doit être placé sur l'objet.
16. Branchez l'appareil à une source appropriée et faire que la prise à débrancher soit facilement accessible.
17. La prise du secteur ne doit pas être obstruée ou doit être facilement accessible pendant son utilisation. Pour être complètement déconnecté de l'alimentation d'entrée, la prise doit être débranchée du secteur.
18. AVERTISSEMENT: Pour éviter le risque d'incendie ou de chocs électriques, ne pas exposer cet appareil à la pluie ou à l'humidité.
19. Un appareil avec la borne de terre de protection doit être connecté au secteur avec la connexion de terre de protection.
20. Assurez-vous que l'appareil est hors tension avant de connecter les hauts parleurs. Vérifiez que la sortie des enceintes soit protégées contre un contact physique. Respecter les polarités des terminaux ainsi que le câblage des enceintes pendant le fonctionnement afin d'assurer une utilisation sécurisée.

INTRODUCTION & CONTENTS



WP-BREAKOUT

The WP-BREAKOUT is an audio breakout box which easily provides power to and receives audio from, up to two wall panels.

24V is provided to the panels and the wall panel balanced audio is converted into unbalanced audio for connection into any audio system.

Multiple WP-BREAKOUT units can be daisy chained from one power supply for a minimal installation footprint.

Features	4
Block Diagram	4
Front Panel	5
WP-BREAKOUT Wiring	6
Specifications	7
Dimensions	8

Revision 1.0: August 2022

WARNING

TO PREVENT FIRE OR SHOCK HAZARD, DO NOT USE THE PLUG WITH AN EXTENSION CORD, RECEPTACLE OR OTHER OUTLET UNLESS THE BLADES CAN BE FULLY INSERTED TO PREVENT BLADE EXPOSURE.

TO REDUCE THE RISK OF FIRE OR ELECTRIC SHOCK, DO NOT EXPOSE THIS APPLIANCE TO RAIN OR MOISTURE.

TO PREVENT ELECTRICAL SHOCK, MATCH WIDE BLADE PLUG TO WIDE SLOT & FULLY INSERT.

CAUTION

TO REDUCE THE RISK OF ELECTRIC SHOCK DO NOT PERFORM ANY SERVICING OTHER THAN THAT CONTAINED IN THE OPERATING INSTRUCTIONS UNLESS YOU ARE QUALIFIED TO DO SO.



The lightning flash with arrowhead symbol, within an equilateral triangle, is intended to alert the user to the presence of uninsulated "dangerous voltage" within the product's enclosure that may be of sufficient magnitude to constitute a risk of electric shock to persons.

CAUTION

RISK OF ELECTRIC SHOCK
DO NOT OPEN

WARNING

TO REDUCE THE RISK OF ELECTRIC SHOCK, DO NOT REMOVE COVER (OR BACK). NO USER SERVICEABLE PARTS INSIDE. REFER SERVICING TO QUALIFIED SERVICE PERSONNEL.



The exclamation point within an equilateral triangle is intended to alert the user to the presence of important operating and maintenance (servicing) instructions in the literature accompanying the appliance.

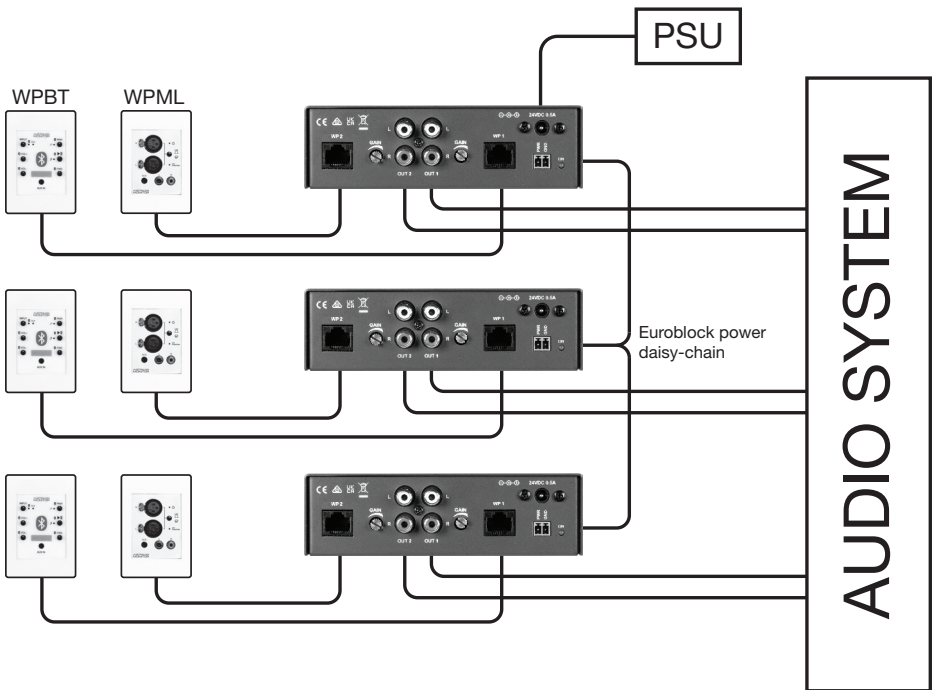


For European Union countries: This symbol on the product or its packaging indicates that this product must not be disposed of with other waste. Instead, it is your responsibility to dispose of your waste equipment by handing it over to a designated collection point for the recycling of waste electrical and electronic equipment. Please contact your local authority for further details of your nearest designated collection point.

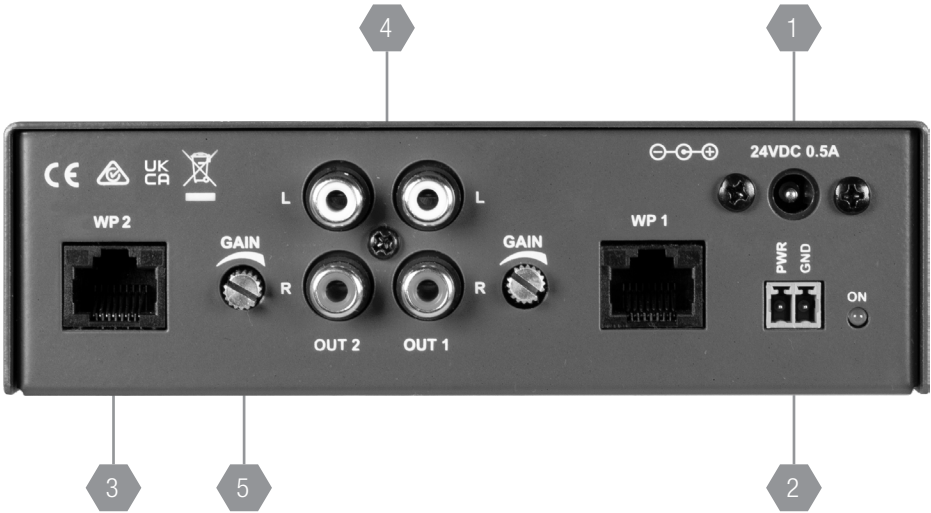
FEATURES

- Converts the wall panels balanced audio to unbalanced audio
- Provides 24V power to wall panels
- Supports the WPBT and WPML Wall Panels
- Rear panel gain adjustment
- Supports up to two wall panels
- Power output to daisy chain up to 15 WP-BREAKOUT units from one power supply

BLOCK DIAGRAM



REAR PANEL

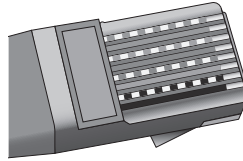


- 1** POWER INPUT
The WP-BREAKOUT is powered via the included +24VDC 1.5A universal power adapter. The DC input accepts a 5.5/2.1mm plug with tip positive and ring negative connection.
- 2** POWER IN/OUT
A 3.81mm 2 pin euroblock connector for power supply daisy chaining multiple WP-BREAKOUT boxes.
- 3** WALL PANEL CONNECTOR
RJ45 connector for use with CAT5, or better, UTP cable. Supports one wall panel per connector.
- 4** STEREO RCA UNBALANCED OUTPUT
A standard stereo RCA female socket for each wall panel audio output. If mono mode is required, it should be configured on the wall panel audio output.
- 5** GAIN TRIM
Used to adjust the output audio level.

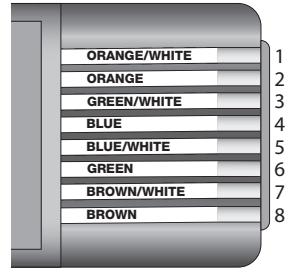
WP-BREAKOUT WIRING

The WP-BREAKOUT box is wired as shown below.

Pin	Colour	Signal
1	Orange/White	LEFT+
2	Orange	LEFT-
3	Green/White	Unused
4	Blue	+24V DC
5	Blue/White	GND
6	Green	Unused
7	Brown/White	RIGHT+
8	Brown	RIGHT-

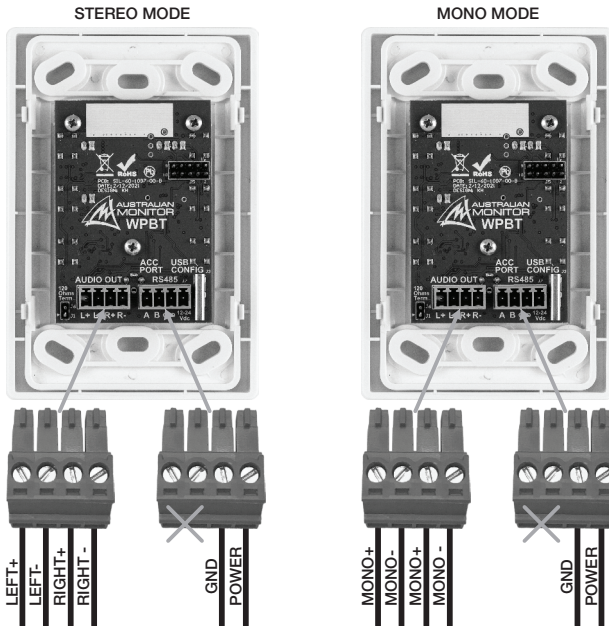


*T-568B wiring



T-568B wiring recommended. However, T-568A also supported.
Maximum cable distance is 500 metres.

WPBT WALL PANEL WIRING EXAMPLE

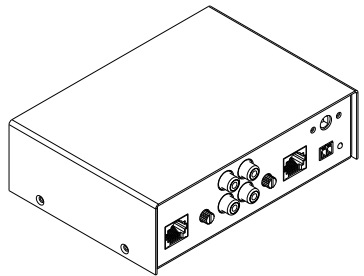
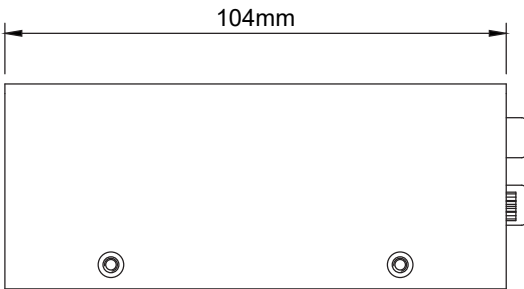
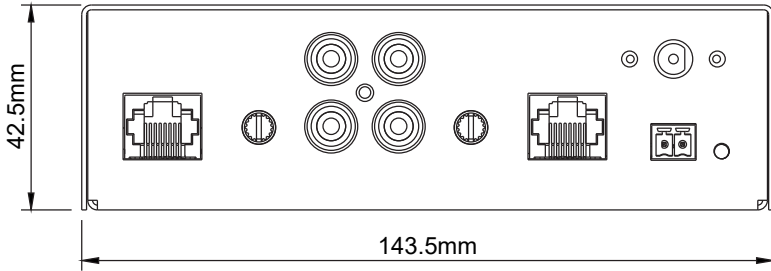


SPECIFICATIONS



	WP-BREAKOUT	COMMENTS
AUDIO		
INPUT CONNECTORS	RJ45	Supporting Cat5 or better
INPUT SENSITIVITY NOMINAL/MAX	1Vrms / 2.5Vrms	Balanced
OUTPUT CONNECTOR	RCA	
OUTPUT SENSITIVITY NOMINAL/MAX	1Vrms / 2.75Vrms	Unbalanced, Gain fully clockwise
SYSTEM GAIN	1.00	
FREQUENCY RESPONSE	20Hz-20kHz	±1 dB
THD+N	< 0.005%	1Vrms, 20Hz - 20kHz. 20kHz BW, Unity Gain
SNR	> 90dBA	1Vrms, 1kHz, 20kHz BW, A-Weighted
CROSSTALK	> 70dB	20Hz - 20kHz, Max output, Adjacent Channels
CABLE		
CABLE STANDARD	CAT5 UTP or better	
MAXIMUM CABLE DISTANCE	500m	
POWER		
INPUT VOLTAGE	+24V DC	5.5mm/2.1mm centre positive plug
INPUT CURRENT		
WP-BREAKOUT	30mA	
WP-BREAKOUT + 1 WALL PANEL	60mA	
WP-BREAKOUT + 2 WALL PANEL	85mA	
SUPPORTED DAISY CHAINED UNITS	15 WP-BREAKOUT and 30 Wall Panels	One powered unit and 14 slaves
MECHANICAL		
PRODUCT DIMENSIONS	144mm x 104mm x 43mm (5.7"W x 4.1"D x 1.7"H)	Total depth is 117mm inclusive of Bluetooth antenna and RCA connector
SHIPPING DIMENSIONS	246mm x 126mm x 62mm (9.7"W x 5"D x 2.4"H)	
NET WEIGHT	460g	
SHIPPING WEIGHT	820g	
FINISH	Powder coated steel	
COLOUR	Blue	
OPERATING TEMPERATURE	0°C to 40°C (95% RH)	

DIMENSIONS



ENGINEERED BY AUSTRALIAN MONITOR

Address: Unit 1, 2 Daydream Street, Warriewood NSW 2102 Australia

Website: www.australianmonitor.com.au

International enquiries email: international@australianmonitor.com.au

ABN 86 003 231 187