



Celebrating 50 years!

DelSound PTY LTD

ESTABLISHED 1970 - QUEENSLAND OWNED

TOA Wireless

Versatile high performance microphone systems



TOA Wireless

TOA has a comprehensive range of UHF wireless products to suit a myriad of different applications.

While the kit combinations are plentiful, the range can be easily divided to four receivers, and four transmitters. A kit is the combination of one of the receivers, and one of the transmitters.

Two frequency bands are available, to suit coverage in any area without causing or receiving interference from TV channels.

Features;

- Antenna or true diversity receivers
- Handheld and belt pack transmitters
- Up to 120m range
- Up to 10 hours battery life (single AA)
- Up to 16 microphones in one system
- Two available frequency bands
 - F01: 636-666MHz
 - H01: 578-606MHz
 - C03: 800-820MHz – old – no longer used**



WT5800



WM5270



WT5805



WM5265



WT4820



WM5225



WT5810



WM5325

TOA Wireless Frequencies

All digital television and wireless microphone systems now can only be operated between 520MHz to 694MHz.

Wireless microphone system work within a fixed frequency band.

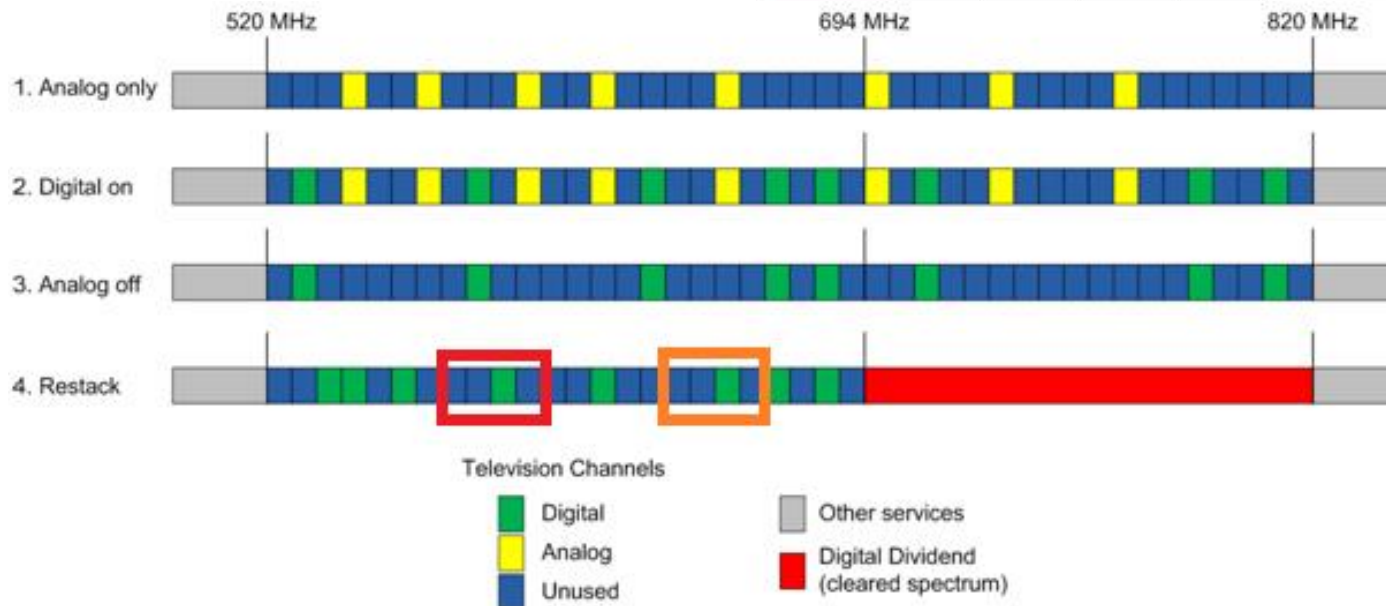
To avoid interference with digital TV services, two bands are available;

TOA **F01 AS** works between 636-666MHz

TOA **H01 AS** works between 578-606MHz

The AS suffix stands for **Australian Standard**

BANK CHANNEL	H01				F01			
	1	2	3	4	1	2	3	4
0	578.600	578.625	578.650	579.100	636.500	636.600	636.700	636.825
1	579.050	579.075	579.100	579.550	636.850	636.950	637.050	637.175
2	579.600	579.625	579.650	580.100	637.300	637.400	637.500	637.625
3	580.250	580.275	580.300	580.750	637.850	637.950	638.050	638.175
4	581.000	581.025	581.050	581.500	638.500	638.600	638.700	638.825
5	582.100	582.125	582.150	582.600	639.400	639.500	639.600	639.725
6	583.600	583.625	583.650	584.100	640.850	640.950	641.050	641.175
7	584.900	584.925	584.950	585.400	642.600	642.700	642.800	642.925
8	585.750	585.775	585.800	586.250	644.500	644.600	644.700	644.825
9	587.800	590.025	589.050	590.500	647.150	647.250	647.350	647.475
A	592.150	593.775	591.750	592.800	648.250	648.350	648.450	648.575
B	594.400	596.075	596.600	594.850	651.000	651.100	651.200	651.325
C	598.200	598.125	598.350	598.000	654.100	654.200	654.300	654.425
D	601.450	601.275	600.400	599.750	658.300	658.400	658.500	658.625
E	604.150	603.025	602.650	602.450	660.500	660.600	660.700	660.825
F	605.900	605.725	605.600	605.700	665.350	665.450	665.550	665.675



TOA Wireless Frequencies

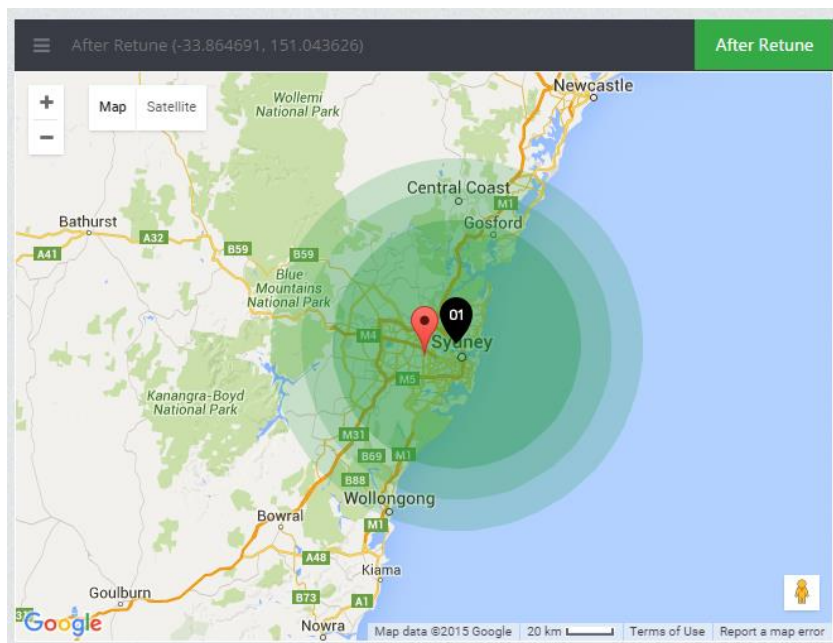
Which frequency should be used?

For most of Australia, the F01 band won't have any interfering TV channels, and these are sold as the default.
For New Zealand, F01 is the only band needed.

The old C03 models were sold up to 2012 – are illegal to use and need to be replaced.

For areas where there is a potential conflict, H01 models should be used.

This can easily be checked on <http://toafrequencycheck.australismusic.com.au/> (AU only)



Channel	Frequency	F01AS	H01AS
6	174-181	<input type="checkbox"/>	<input type="checkbox"/>
7	181-188	<input type="checkbox"/>	<input type="checkbox"/>
8	188-195	<input type="checkbox"/>	<input type="checkbox"/>
35	575-582		<input checked="" type="checkbox"/>
36	582-589		<input checked="" type="checkbox"/>
37	589-596		<input checked="" type="checkbox"/>
38	596-603		<input checked="" type="checkbox"/>
39	603-610		<input checked="" type="checkbox"/>
43	631-638	<input checked="" type="checkbox"/>	
44	638-645	<input checked="" type="checkbox"/>	
45	645-652	<input checked="" type="checkbox"/>	
46	652-659	<input checked="" type="checkbox"/>	
47	659-666	<input checked="" type="checkbox"/>	

TOA Handheld Transmitters

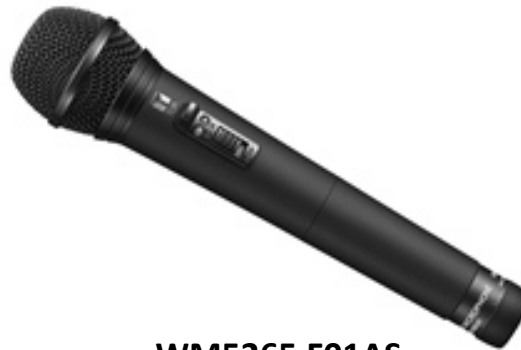
- WM = **W**ireless **M**icrophone
- Three models are available to suit performance and budget
- All models have 64 selectable frequency channels
- Operate off a single AA battery, 10 hours talk time
- 100+ metres operating range



WM5270 F01AS

- Dynamic Mic
- Premium vocal
- Metal body
- 64 channels
- Single AA
- **F01** band only

WM5270



WM5265 F01AS
WM5265 H01AS

- Dynamic Mic
- Vocal
- Plastic body
- 64 channels
- Single AA
- F01 and H01 band
- Fits BC50002

WM5265



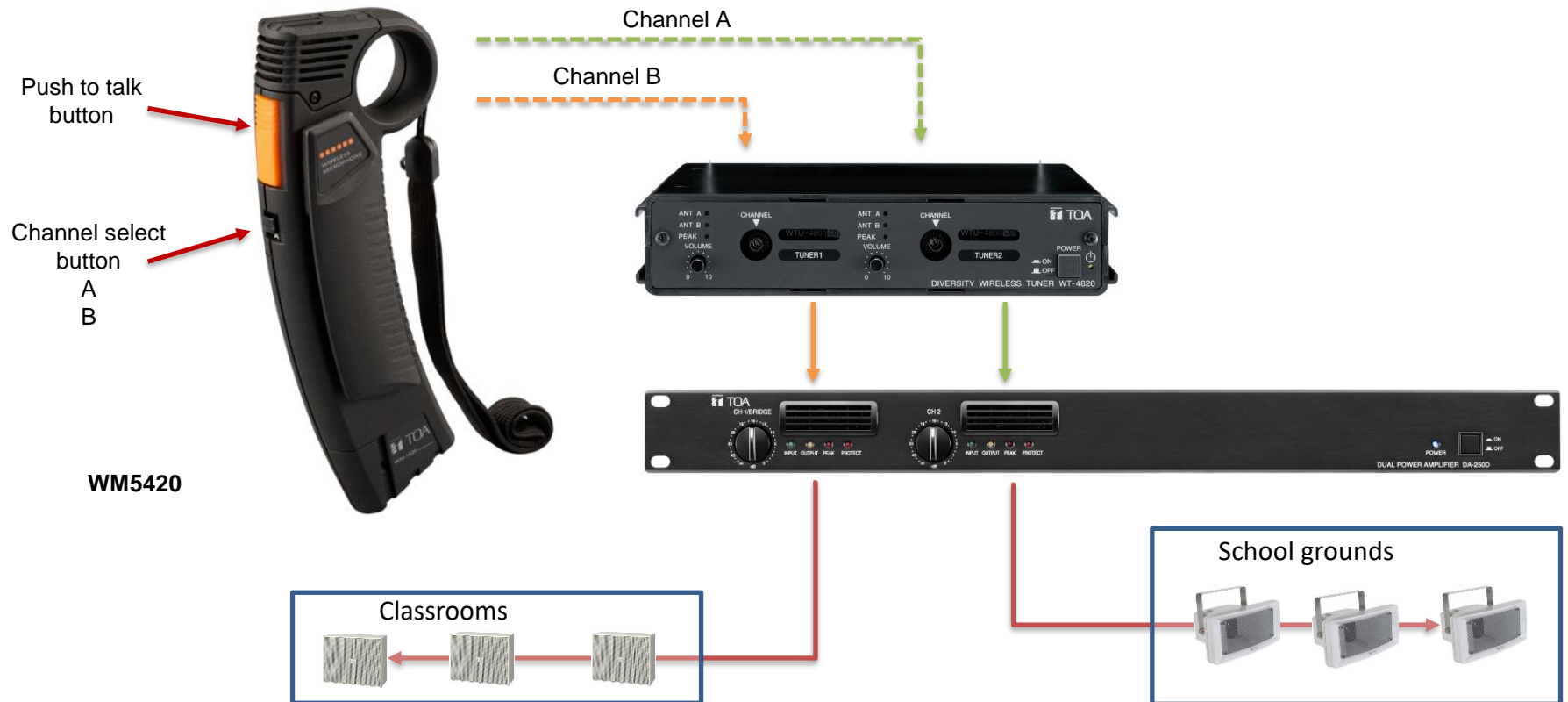
WM5225 F01AS
WM5225 H01AS

- Condenser Mic
- Presentation
- Plastic body
- 64 channels
- Single AA
- F01 and H01 band
- Fits BC50002

WM5225

TOA Handheld Transmitters

- WM5420 dual channel microphone. Page to two separate locations with one microphone
- Ergonomic design
- Beltpack clip
- Drop resistant
- 100+ metres operating range
- Ideal for transport applications (page to different platforms), education and multi-zone PA solutions



TOA Belt Pack Transmitter

- WM5325 Beltpack transmitter, two models **WM5325 F01AS** and **WM5325 H01AS**
- 64 selectable frequency channels
- Operates off a single AA battery, 10 hours talk time
- 100+ metres operating range
- 3.5mm lockable microphone jack
- Can be recharged in BC50002
- No microphone included!



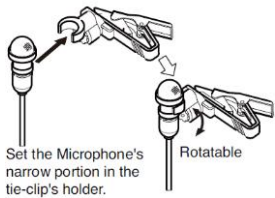
WM5325 F01AS
WM5325 H01AS

TOA Mics to suit WM5325

- Six models are available
- Two lapel / tie-clip microphones
- Four headset microphones
- 3.5mm jack terminated, lockable screw type



Tie-clip attachment



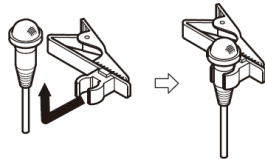
YPM5300

- Unidirectional
- Rotatable clip

YPM5300



Tie-clip attachment



YPM5310

- Omnidirectional
- Fixed clip

YPM5310



WH4000H

- Headset mic
- Unidirectional

WH4000H



WH4000A

- Aerobics mic
- Unidirectional
- Extra headband

WH4000A

TOA Mics to suit WM5325

- Two new skin coloured models
- Single over ear
- Over head type
- 3.5mm jack terminated, lockable screw type



YPM5000E

- Omnidirectional
- Removable cable

YPM5000E



YPM5000H

- Aerobics mic
- Unidirectional
- Extra headband

YPM5000H

TOA Belt Pack Transmitters KITS

- Four mic combinations
- Two frequency combinations
- Total 8 combinations
- Kits made from and sent as individual SKU's



WM5325U F01AS
WM5325U H01AS

- WM5325 +
- YPM5300
- **Uni** directional mic

WM5325U



WM5325M F01AS
WM5325M H01AS

- WM5325 +
- YPM5310
- **oMni** directional mic

WM5325M



WM5325H F01AS
WM5325H H01AS

- WM5325 +
- WH4000H
- **Head** set mic

WM5325H



WM5325A F01AS
WM5325A H01AS

- WM5325 +
- WH4000A
- **Aerobics** mic

WM5325A

TOA WT5800 Receiver

The WT5800 receiver is a single channel true diversity receiver.

It is compatible with any of the TOA transmitters.

Features;

- True diversity receiver
- 64 selectable channels
- Antenna loop through up to 3 systems
- Rack mountable
- Two available frequency bands

WT5800 F01AS: 636-666MHz

WT5800 H01AS: 578-606MHz



WT5800



WM5270



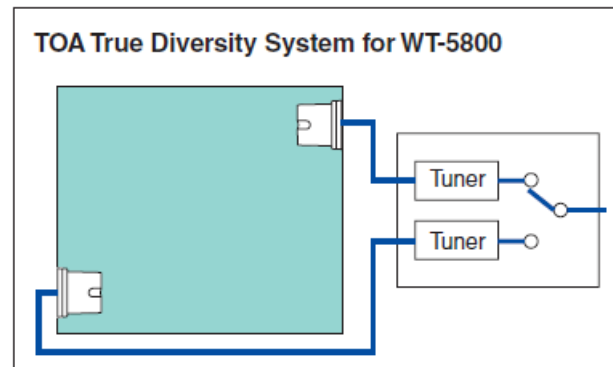
WM5265



WM5225



WM5325



What is the "diversity reception" system?

Some radio signals transmitted from a wireless microphone reach the receiving antenna directly, while others are first reflected off walls and floors before being received. When the strength of these two arriving radio signals is nearly identical and they happen to be 180° out of phase, they may cancel each other out, resulting in reception dead spots. The "diversity reception" system employs a receiving method that eliminates such dead spots.

TOA WT5800 KITS

Kits made from and sent as individual SKU's



WT5800



WM5225



WM5265



WM5270



WM5325



YPM5300



YPM5310



WH4000H

WT5800HTC

C = Condensor

WT5800HTD

D = Dynamic

WT5800HTPD

PD = Premium Dynamic

WT5800PTU

U = Unidirectional

WT5800PTM

M = oMnidirectional

WT5800PTH

H = Headset

All combinations also available in **H01** versions

TOA WT5805 Receiver

The WT5805 receiver is a single channel antenna diversity receiver.

It is compatible with any of the TOA transmitters.

Features;

- Antenna diversity receiver
- 64 selectable channels
- Up to 120m range
- Rack mountable
- Only available in F01 frequency band

WT5805 F01AS: 636-666MHz



WT5805



WM5270



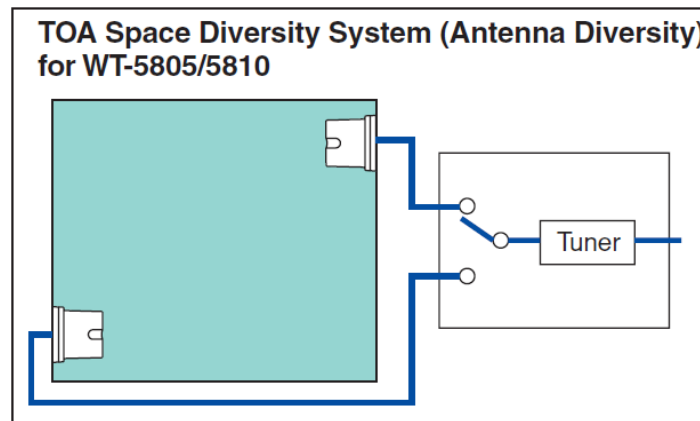
WM5265



WM5225

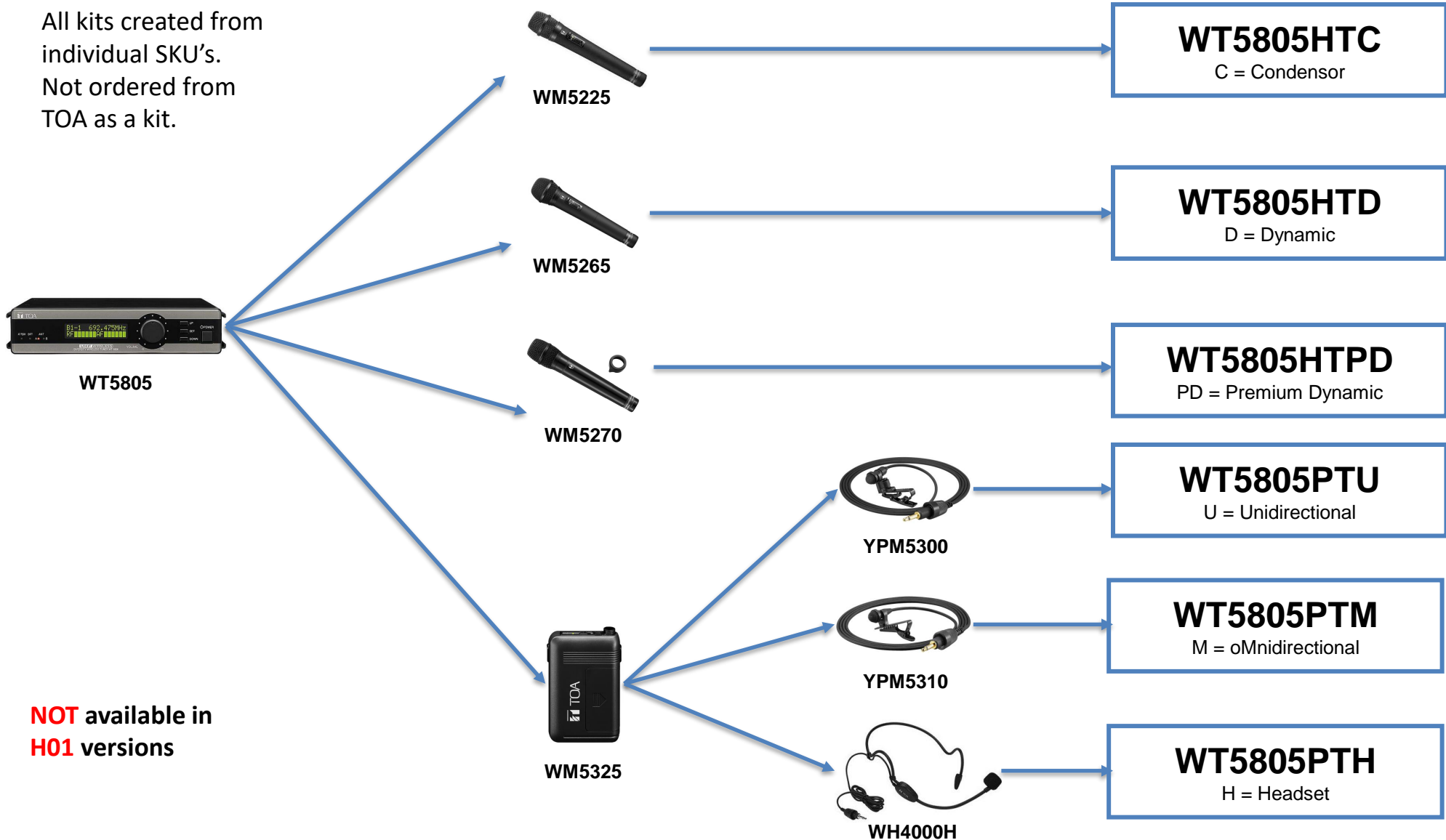


WM5325



TOA WT5805 KITS

All kits created from individual SKU's.
Not ordered from TOA as a kit.



TOA WT5810 Receiver

The WT5810 receiver is a single channel antenna diversity receiver.

It is compatible with any of the TOA transmitters.

Features;

- Antenna diversity receiver
- 16 selectable channels
- Fixed antennas
- NOT rack mountable
- Two available frequency bands
 - WT5810 F01AS:** 636-666MHz
 - WT5810 H01AS:** 578-606MHz



WT5810



WM5270



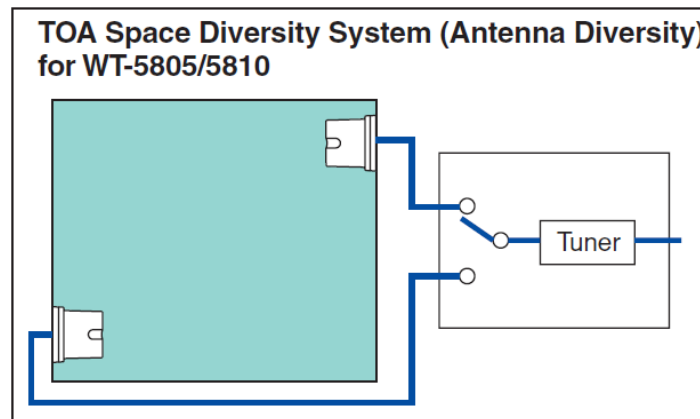
WM5265



WM5225

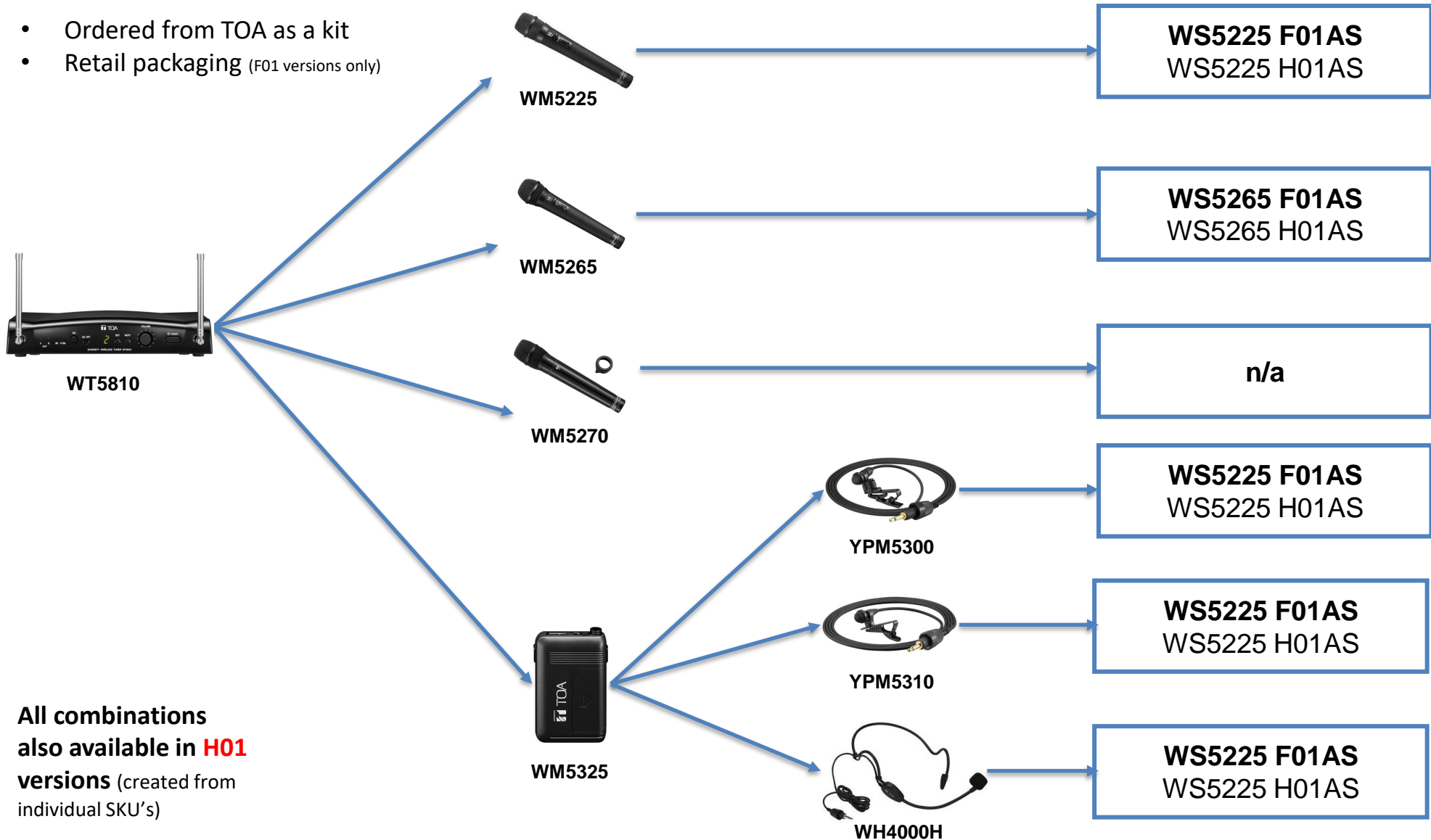


WM5325



TOA WT5810 KITS

- Ordered from TOA as a kit
- Retail packaging (F01 versions only)



All combinations
also available in **H01**
versions (created from
individual SKU's)

TOA WT4820 Receiver

The WT4820 receiver is a DUAL channel receiver frame. It requires one or two tuner modules.

It is compatible with up to two of the TOA transmitters.

Features;

- Dual channel (use two mics at once)
- 16 selectable channels
- Rack mountable
- Two available frequency bands
 - WTU4800 F01AS:** 636-666MHz
 - WTU4800 H01AS:** 578-606MHz



WT4820



WM5270



WTU4800



WM5265



WM5225



WM5325

TOA WT4820 KITS

Dual channel receiver



WT4820CH2
WT4820CH2 H01AS

Quad channel receiver



WT4820CH4
WT4820CH4 H01AS

TOA Wireless Accessories

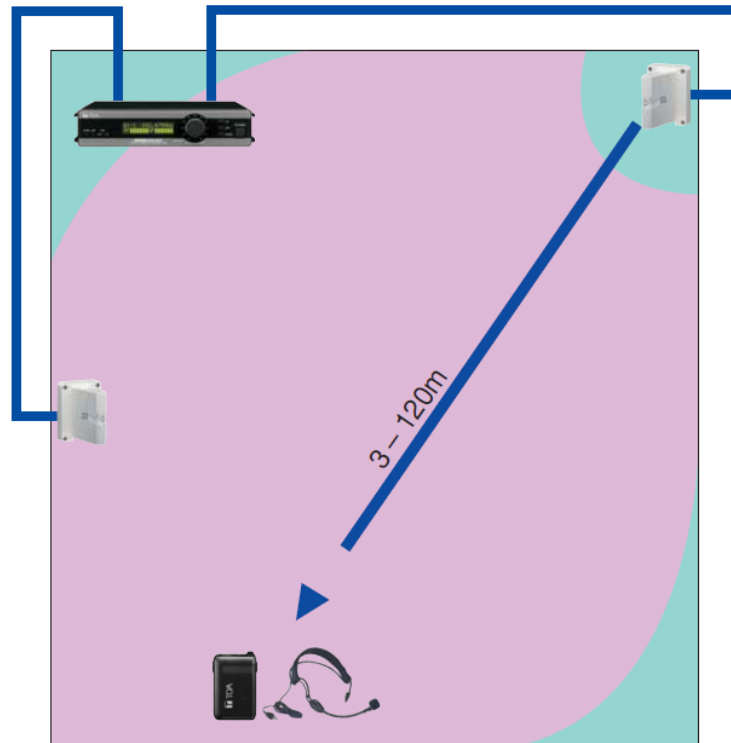
YW4500

External antenna to increase reception for use with

- WT5800
- WT5805
- WT4820

Features;

- Fixed installation antenna
- Provides 8dB gain
- Maximum cable distance
 - RG6 35m
 - RG11 50m
- Suits all bands F01 and H01
- Not for outdoor use



YW4500

TOA Wireless Accessories

WD5800

Antenna distributor for use with

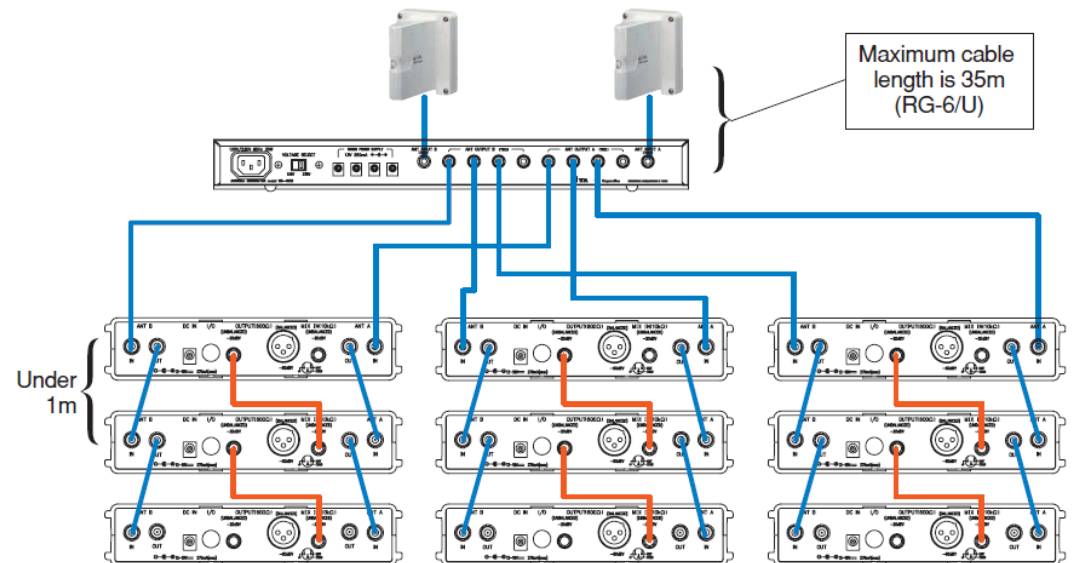
- WT5800
- WT5805
- WT4820

Features;

- Connect **two** external antennas (note it is not an antenna combiner!)
- Connects up to 4x receivers directly
- Connect up to 12x WT5800 using loop through
- (BNC cables not supplied)



WD5800



* the antenna loop outputs should only be used for a maximum of two other receivers.

TOA Wireless Accessories

BC50002BATT

Battery charger for use with

- WM5265
- WM5225
- WM5325

Features;

- Two bay charger
- Charges in 3 hours
- Includes 2x adaptor for handheld mics
- Includes 2x WB2000-2 batteries
- Includes power pack
- Not for WM5270



BC50002BATT



TOA Wireless Accessories

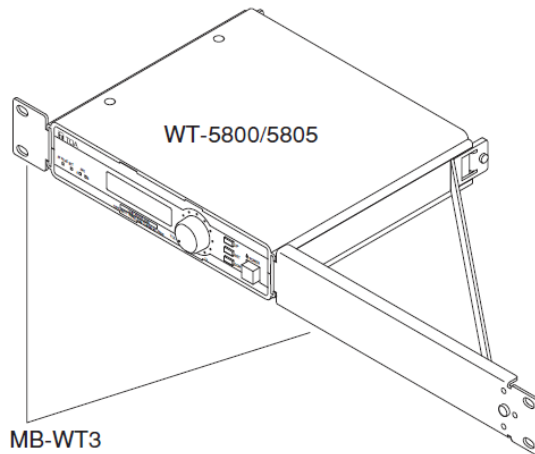
Rack mount brackets

For use with

- WT5800
- WT5805
- WT4820

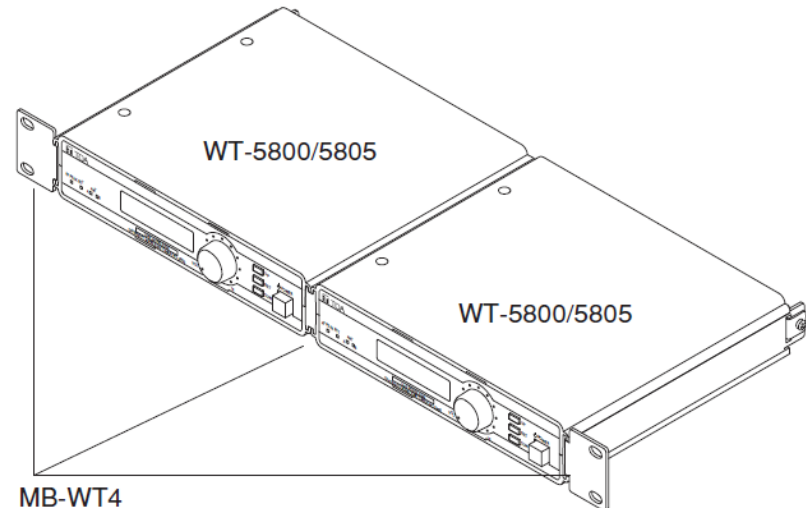
Features;

- MBWT3: rack mount for one unit
- MBWT4: rack mount for two units side by side



MB-WT3

RRP \$70



MB-WT4

RRP \$80

TOA Resources

Frequency check

<http://toafrequencycheck.australismusic.com.au/> (AU only)

Please note: International websites might have the same model listed with different specifications, especially US models.

We are in the process of updating the new Australis website with the full TOA product lineup.

TOA website: <http://www.toa.jp/>

TOA Data Library (Brochures, spec sheets, manuals, software etc.)

<https://www.toa-products.com/international/>